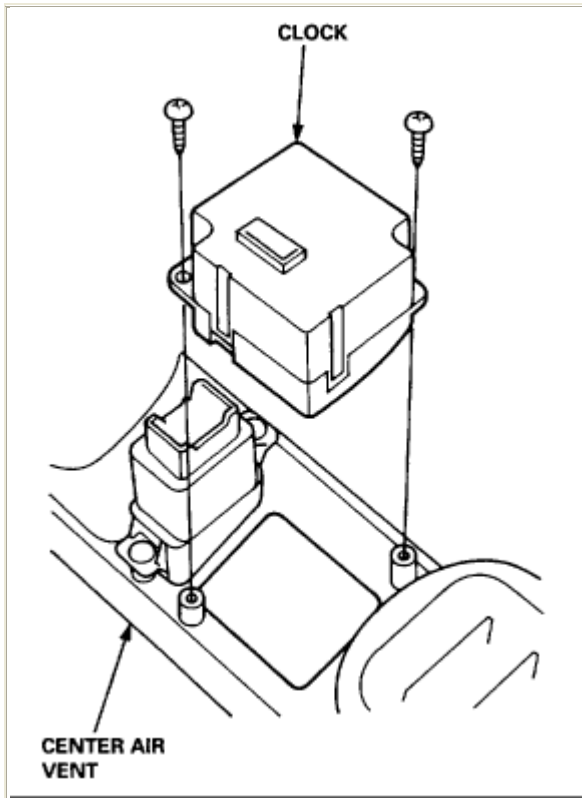
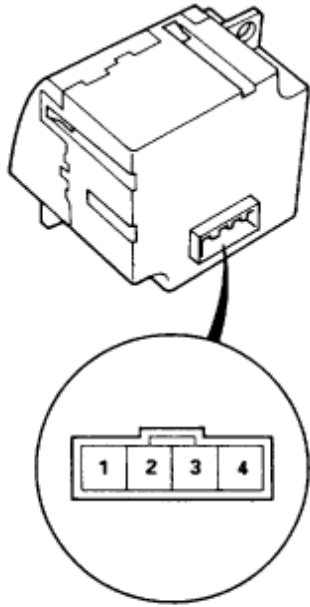


Honda CRV Clock Removal Instructions



1. Remove the center air vent.
2. Disconnect the 4P connector.
3. Remove the two screws.



Cavity	Wire	Connects to
1	WHT/BLU	Constant power (time memory)
2	YEL	IG1 (main clock power supply)
3	RED/BLK	Lights-on signal
4	BLK	Ground (G401, G402)