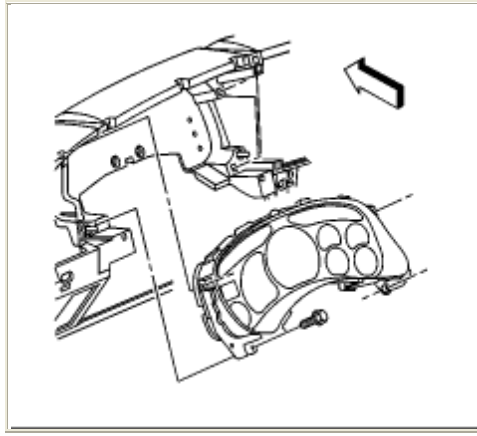


2004 GMC Yukon Instrument Cluster

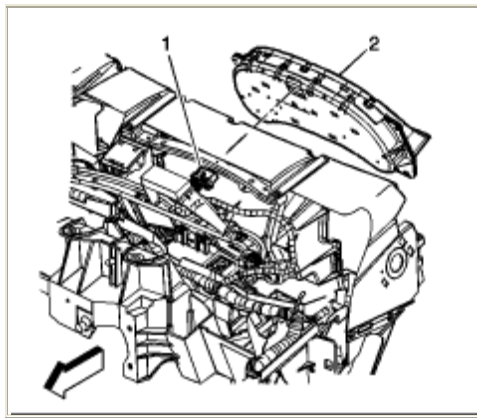
INSTRUMENT PANEL CLUSTER (IPC) REPLACEMENT

REMOVAL PROCEDURE

1. Remove the instrument panel (I/P) cluster trim plate bezel.



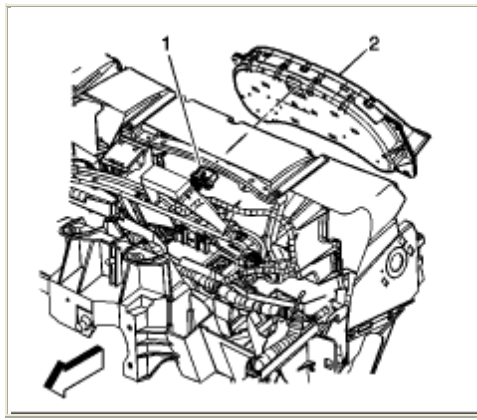
2. Remove the screws that retain the I/P cluster to the I/P assembly.



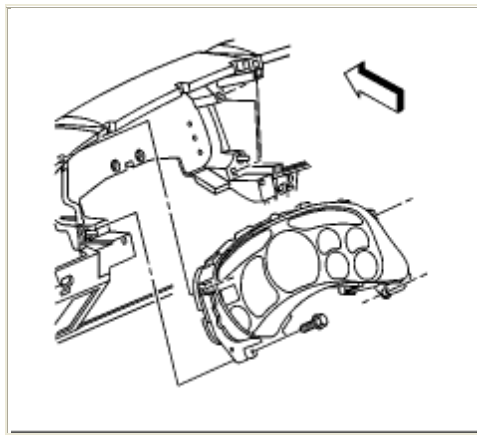
3. Remove the I/P cluster (2) from the vehicle by tilting the bottom of the cluster outward.
4. Disconnect the I/P cluster harness (1) from the I/P cluster.

INSTALLATION PROCEDURE

2004 GMC Yukon Instrument Cluster



1. Connect the I/P cluster harness (1) to the I/P cluster (2).



2. Install the I/P cluster onto the I/P with the screws. Tilt the top of the cluster into the retainer first to avoid damaging the flexible circuit connections.
3. Install the screws that retain the I/P cluster to the I/P assembly. **NOTE** : Refer to Fastener Notice in Service Precautions. Tighten the screws to **2 N.m (18 lb in)** .
4. Install the I/P cluster trim plate bezel. When the I/P cluster is replaced the new I/P cluster will need to be programmed. Refer to Service Programming System (SPS).