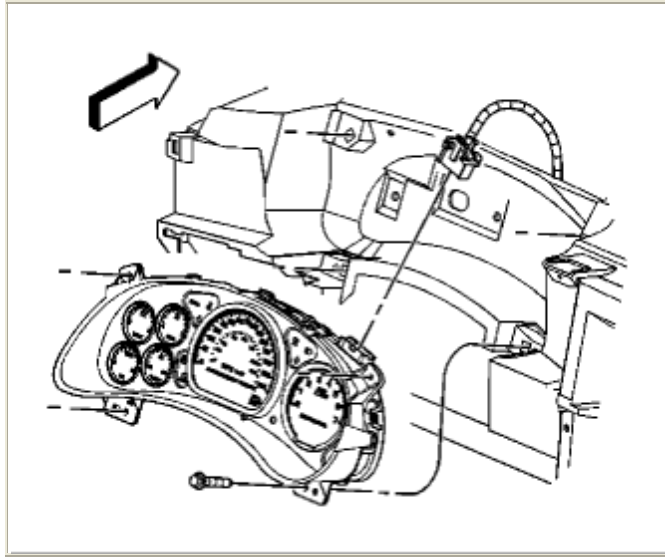


2004 Chevy Impala Cluster Removal Instructions

REMOVAL PROCEDURE

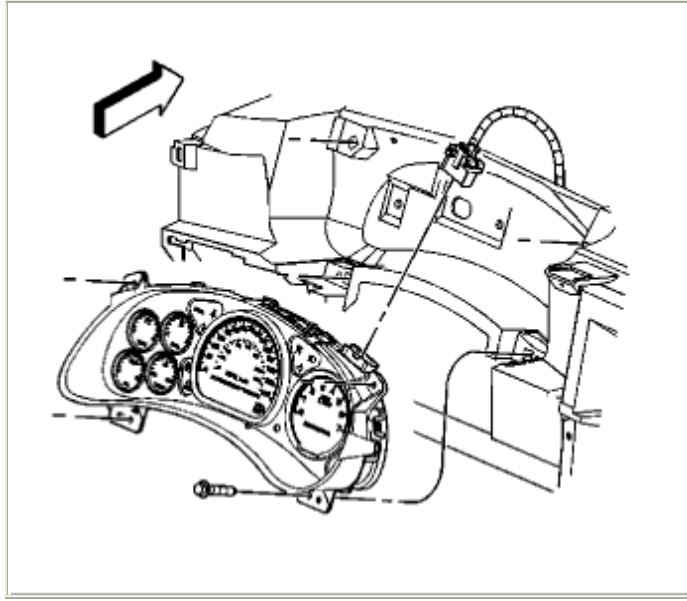
IMPORTANT: The ignition switch must be in the OFF position when removing the instrument cluster.



1. Remove the instrument panel (I/P) cluster trim plate.
2. Remove the instrument cluster screws.
3. Pull the instrument cluster towards you and disconnect the electrical connector.
4. Remove the instrument cluster from the I/P.

2004 Chevy Impala Cluster Removal Instructions

INSTALLATION PROCEDURE



1. Connect the electrical connector to the instrument cluster.
2. Install the instrument cluster to the I/P. **NOTE:** Refer to Fastener Notice in Service Precautions.
3. Install the instrument cluster screws. **Tighten** Tighten the instrument cluster screws to **2 N.m (18 lb in)** .
4. Install the I/P cluster trim plate.
5. If a new instrument cluster was installed, program the cluster. Refer to Service Programming System (SPS) in Vehicle Control Systems.